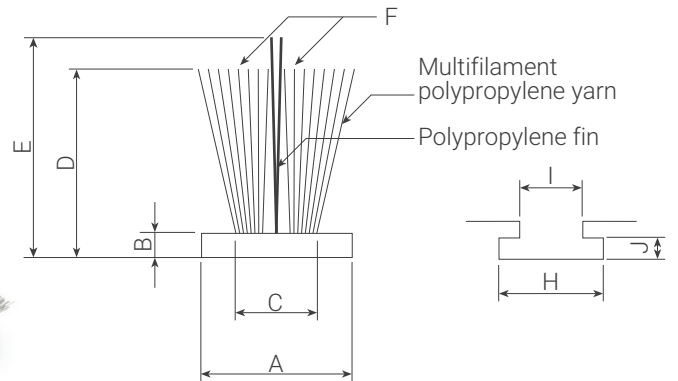


FIN-SEAL (FS): WOVEN BRUSH PILE SEALS



Soft silicone treated multifilament pile yarn on a woven reinforced translucent backing. With welded clear centre fin for improved weather sealing of sliding windows and doors. Optional adhesive backing.

Recommended compression:

- Brush pile height from 3.0 to 5.0 mm: 5% to 10%.
Fin should be plus 1 mm
- Brush pile height from 5.5 to 6.5 mm: 10% to 20%.
Fin either level or plus 1 mm
- Brush pile height from 7.0 mm to 11 mm: 15% to 25%.
Fin either level or plus 1 mm
- Brush pile height from 12.0 and above: 15% to 25%.
Level Fin only

	4,8	6,7	6,9
H	5,3	7,5	7,7
I	3,2	3,2	3,2
J	1,3	1,3	1,3

Minimum clearance recommended: +0.5 mm of backing width chosen

TECHNICAL SPECIFICATION

STANDARD SOLUTIONS

A Backing width*	B Backing thickness	C Pile base width	D Brush height	E Fin height**	F Brush density (P)
4,8 +0,10/-0,15 mm 6,7 +0,10/-0,20 mm 6,9 +0,10/-0,20 mm	0,8 ± 0,15 mm	2,4 ± 0,3 mm	3 ≤ D ≤ 5 mm (+0,25/-0,15 mm with 0,50 mm intervals)	D+1 mm (+0,25/-0,15 mm with 0,50 mm intervals)	4P
			5,5 ≤ D ≤ 6,5 mm (+0,25/-0,15 mm with 0,50 mm intervals)	Level or D+1 mm (+0,25/-0,15 mm with 0,50 mm intervals)	
			6,5 ≤ D ≤ 10 mm (+4%/-2,5% with 0,50 mm intervals)	Level or D+1 mm (+4%/-2,5% with 1 mm intervals)	
			10 ≤ D ≤ 12 mm (+4%/-2,5% with 1 mm intervals)	Level only (+0,50/-0,50 mm)	
			12 ≤ D ≤ 15 mm (+4%/-2,5% with 1 mm intervals)		

Multifilament pile yarn colours (≈ RAL)



*With optional hot-melt adhesive (HM) • Note: total height will increase up to 0,5 mm if hot-melt requested

**With optional quiet black non-woven (NW) fin