



Floor spring

DORMA **BTS 65**

The economic floor spring specially designed for double action doors

Special shallow design
Optional hold-open
 Successfully tailored to satisfy the special requirements governing floor springs for double action doors, the DORMA BTS 65 also offers a particularly shallow design and thus all the advantages of a reduced

installation depth. With two closing ranges and a choice of models, the BTS 65 can fulfil virtually any application requirement while providing all the reliability associated with assured quality from DORMA.

Certified to ISO 9001.

Benefits

For the trade

- Outstanding value for money.
- Wide range of accessories to accommodate various installation situations.

For the installer

- Easy installation thanks to shallow design.
- Easy to adapt to individual requirements with dual valve control 130° to 0° and 130° to 20°.
- Interchangeable spindle inserts available to suit site conditions.

For the architect/specifier

- Minimum floor recess dimension.
- Rugged construction for door weights up to 100 kg.
- DORMA quality.

For the user

- Smooth closing operation virtually temperature-immune.
- Low effort requirement ensures easy door operation.
- Optional integrated single-point hold-open at 90°.

Technical Data		BTS 65	
Spring strength	Size	EN 3	EN 4
Standard and ¹⁾ external doors ^{1) 2)}	≤ 950 mm ≤ 1100 mm	● –	– ●
Max. door weight in kg		100	100
Closing speed variable by valve adjustment		●	●
Backcheck		–	–
Delayed action		–	–
Hold-open point 90°		○	○
Weight in kg, approx.		4,0	4,0
Dimensions in mm	Length Width Height	276 108 40	276 108 40
Door closer tested to EN 1154		●	●
CE mark for building products (products with factory-fitted hold-open do not carry a CE mark)		●	●

● Yes – No ○ Option

¹⁾ For applications involving particularly high or heavy doors, and doors which have to close against wind or draught conditions, the next larger closer size or the DORMA BTS 80 should be selected.

²⁾ Max. opening 130°. Door stop necessary for doors which can open further than 130°. (e.g. OGRO TZ 5000).

Standard and optional functions

Closing ranges

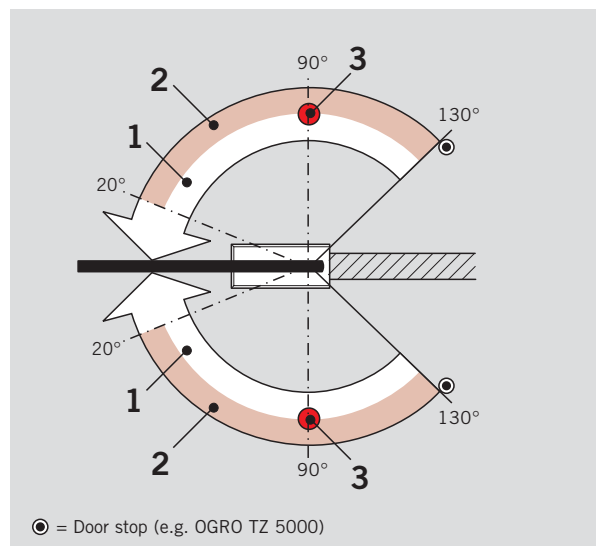
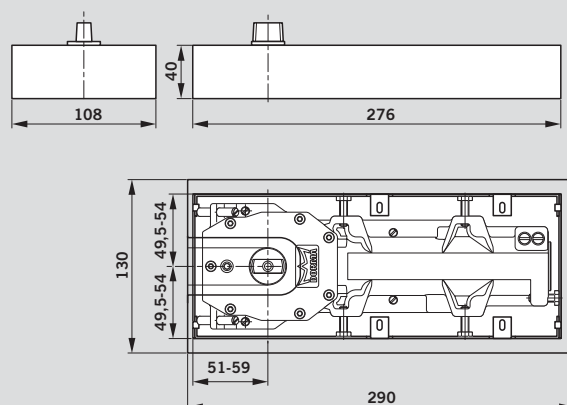
The floor spring has two controlled closing ranges:
 Valve 1: 130° – 0° sweep
 Valve 2: Increases the closing speed between 130° and 20°.

- 1 Infinitely variable closing speed in the range 130° – 0°.
- 2 Second closing range 130° – 20°.
- 3 Hold open at 90° (optional extra).

Hold-open

With optional integrated single-point hold-open at 90°.

Measurements



Applications and installation

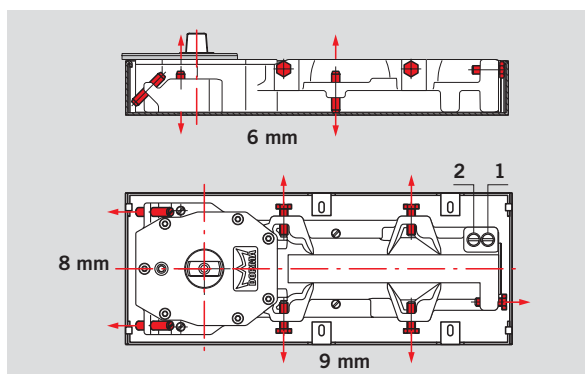
The practical clamp fixing system of the DORMA BTS 65 ensures a secure and high-precision fit in the cement box.

The adjustment range in the cement box is as follows:

- Transverse 9 mm
- Longitudinal 8 mm
- Vertical 6 mm

1 Valve for 130° – 0° closing speed adjustment

2 Valve for increasing the 130° – 20° closing speed



Accessories

Applications and fixing instructions, door straps and top centres

See Technical Information "Floor spring accessories DORMA BTS".

DORMA 2300 Sealing Compound

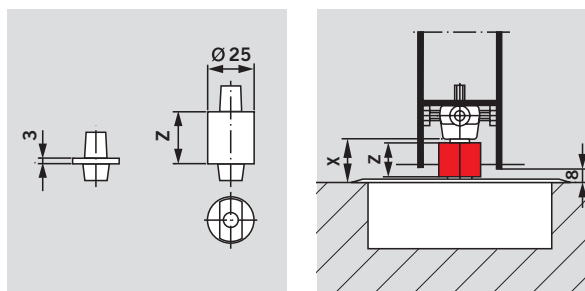
For filling the cavities between the floor spring body and the cement box to prevent moisture penetration (mandatory according to e.g. VOB regulations for wet rooms).

Spindle inserts

The floor clearance can be adjusted as required by simply replacing the insertion spindle with another size. Special spindle designs available on request – e.g. wide flats with 3° offset, square and spindle inserts for non-DORMA-specific accessories.

Universal cover plate

Available in stainless steel or satin brass.



Calculating the necessary length of spindle extension:
Extension = X – Floor clearance (normally 8 mm)

Collar height Z of the extended spindle inserts = Spindle extension length + 3 mm (collar height of the standard spindle insert)

Options and accessories

Floor spring BTS 65 including cement box and standard spindle insert, not pre-assembled	Floor spring BTS 65 including cement box and without spindle insert	45200401 Normal	Extended spindle inserts (extension in mm)														Universal cover plate		Sealing compound 2300 0,5 kg 45090059
			5	7,5	10	12,5	15	20	25	28	30	35	40	45	50	Stainless steel	Satin brass		
46700086	46700186																46700086	46700186	
Standard																			
EN 3 25030101	EN 3 25030100	#	#	#	#	#	#	#	#	#	#	#	#	#	#	#	#	#	#
EN 4 25040101	EN 4 25040100	#	#	#	#	#	#	#	#	#	#	#	#	#	#	#	#	#	#
with hold-open 90°																			
EN 3 25130101	EN 3 25130100	#	#	#	#	#	#	#	#	#	#	#	#	#	#	#	#	#	#
EN 4 25140101	EN 4 25140100	#	#	#	#	#	#	#	#	#	#	#	#	#	#	#	#	#	#

= Accessory

Specification text

Floor spring for double action doors, with hydraulic fully controlled closing from approx. 130°; including cement box and removable spindle insert.

Size

- EN 3
- EN 4

Models

- Standard
- Hold-open 90°

Accessories

- Universal cover plate
 - Stainless steel
 - Satin brass
- Extended spindle insert, . . . mm extended
- Sealing compound

Make: DORMA BTS 65

BTS65

Door Control Division worldwide

Central Europe

DORMA GmbH + Co. KG
Breckerfelder Str. 42-48
D-58256 Ennepetal
Tel. +49 23 33/7 93-0
Fax +49 23 33/7 93-4 95

Australia

DORMA Door Controls Pty. Ltd.
52 Abbott Road
Hallam/Victoria 3803
Australia
Tel. +61 3/97 96 35 55
Fax +61 3/97 96 39 55

China

DORMA Door Controls (Suzhou)
Co. Ltd.
No. 9, Hong Feng Road
Suzhou Singapore Industrial Park
Suzhou, 215021
P. R. of China
Tel. +86 512/67612481
Fax +86 512/67614582

DORMA Door Controls Pte. Ltd.
Room 701, Technology Plaza
651 King's Road
North Point
Hong Kong
Tel. +825/250 34632
Fax +825/288 75370

Emerging Markets

DORMA GmbH + Co. KG
Breckerfelder Str. 42-48
D-58256 Ennepetal
Tel. +49 23 33/7 93-0
Fax +49 23 33/7 93-4 95

DORMA Door Controls (Pty.) Ltd.
Kings Court, 4A Mineral Crescent
ZA-2000 Crown/Gauteng
South Africa
Tel. +27 11/8 30 02 80
Fax +27 11/8 30 02 91

Far East

DORMA Door Controls Pte. Ltd.
No. 2 Jalan Terusan,
Jurong
Singapore 619285
Tel. +65 62 68/76 33
Fax +65 62 65/79 14

France

DORMA France S.A.S.
Europarc
42, rue Eugène Dupuis
F-94046 Créteil
Tel. +33 1/41 94 24 00
Fax +33 1/41 94 24 01

Gulf

DORMA Gulf Door Controls FZE
Jebel Ali Free Zone,
Roundabout 8,
Unit VC 02
Dubai, United Arab Emirates
Tel. +971 48/83 90 14
Fax +971 48/83 90 15

North America

DORMA Architectural Hardware
DORMA Drive, Drawer AC
Reamstown, PA 17567
Tel. +1-800-523-8483
Fax +1-800-274-9724

Scanbalt

DORMA Danmark A/S
Sindalvej 6 - 8
DK-2610 Rødovre
Tel. +45 44/54 30 00
Fax +45 44/94 95 04

South America

DORMA Sistemas de Controles
para Portas Ltda.
Av. Piracema, 1400
Centro Empresarial Tambore
CEP 06400 Barueri/
São Paulo, Brasil
Tel. +55 11/41 91 32 44
Fax +55 11/41 91 21 93

South-East Europe

DORMA AUSTRIA GmbH
Pebering Strass 22
A-5301 Eugendorf
Tel. +43 62 25/2 84 88
Fax +43 62 25/2 84 91

South Europe

DORMA Italiana S.r.l.
Via. A. Canova 44/46
I-20035 Lissone (MI)
Tel. +39 039/24 40 31
Fax +39 039/24 40 33 10

DORMA Ibérica, S.A.
Camino San Martin de la Vega, 4
E-28500 Arganda del Rey
(Madrid)
Tel. +34 91/8 75 78 50
Fax +34 91/8 75 78 81

UK/Ireland

DORMA UK Ltd.
Door Controls Division
Wilbury Way
GB-Hitchin
Hertfordshire SG4 0AB
Tel. +44 14 62/47 76 00
Fax +44 14 62/47 76 01

www.dorma.com

Door Control

Automatic

Glass
Fittings and
Accessories

Security/
Time and
Access (STA)

Movable
Walls



4 02 1226 282311