



Door Closer

DORMA TS 71

The inexpensive solution for standard doors – with quality assured

With the TS 71, DORMA has developed a door closer that rounds off its ClassicLine series perfectly. The ease and speed with which it can be fixed, the fact that its spring strength can be so easily adapted to the door

size – by simply turning round the hinge plate – and its competitive price should make it the ideal choice for your application.

Certified to ISO 9001

Benefits

For the trade

- Increased stocking flexibility thanks to use of the standard ClassicLine series arm.
- Complements the ClassicLine series as a competitive model for standard doors.

For the installer/fabricator

- Non-handed design.
- Easy and quick to fix.

For the architect/specifier

- Competitive and reliable.
- Compact construction combined with classic design.

For the user

- Constant closing action virtually unaffected by temperature fluctuations.
- Optimum closing speed adjustment with two regulating valves.
- Reliable closing with adjustable latching action.

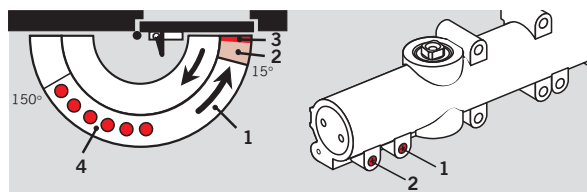
Data and features		TS 71
Spring strength (adjustable by turning round the hinge plate)	Size	EN 3/4
Standard doors	≤ 1100 mm ¹⁾	●
External doors, outward opening		–
Fire doors		–
Non-handed		●
Arm type	Standard	●
	Slide channel	–
Closing speed adjustable at 2 separate valves	180° – 15°	●
	15° – 0°	●
Latching action adjustable (by arm)		●
Backcheck		–
Delayed action		–
Hold-open		○
Weight in kg		1.2
Dimensions in mm	Length	232
	Overall depth	45
	Height	68
Door closer tested and approved to EN 1154		●

● Yes – No ○ Option

¹⁾With parallel-arm fixing, the closing force is approx. 20 Nm (for doors up to 950 mm)

Standard and optional functions

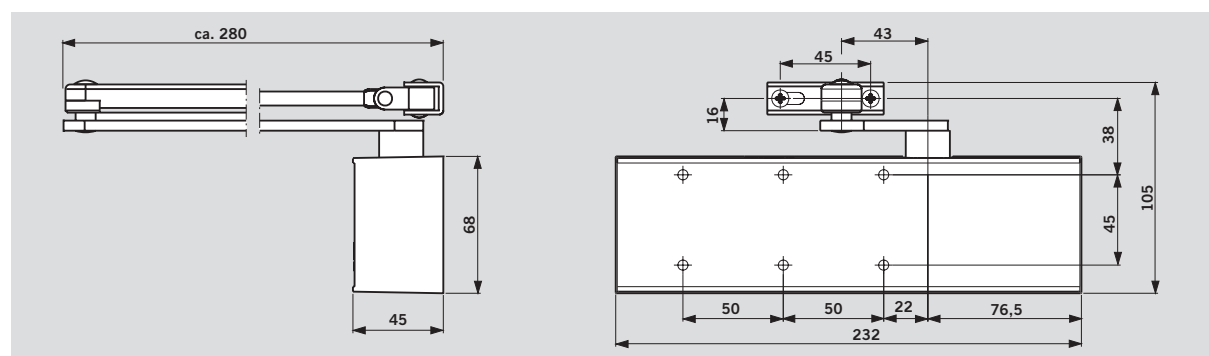
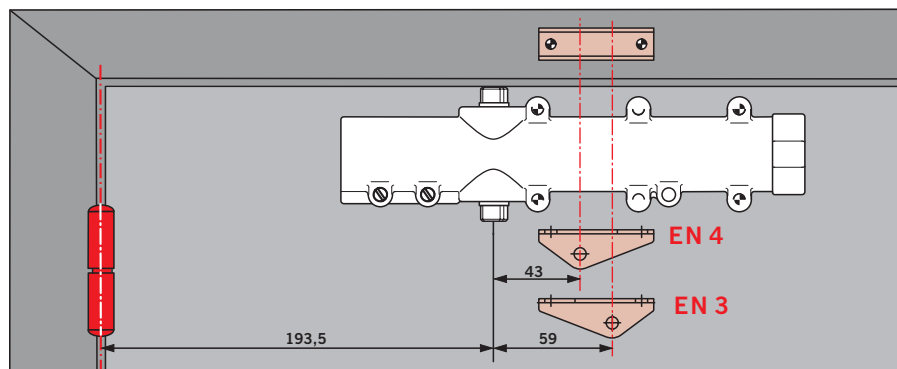
- 1 Closing speed adjustable in the range 180° – 15°.
- 2 Closing speed adjustable in the range 15° – 0°.
- 3 Latching action.
- 4 Hold-open range for model with hold-open arm (optional extra).



Closing force settings

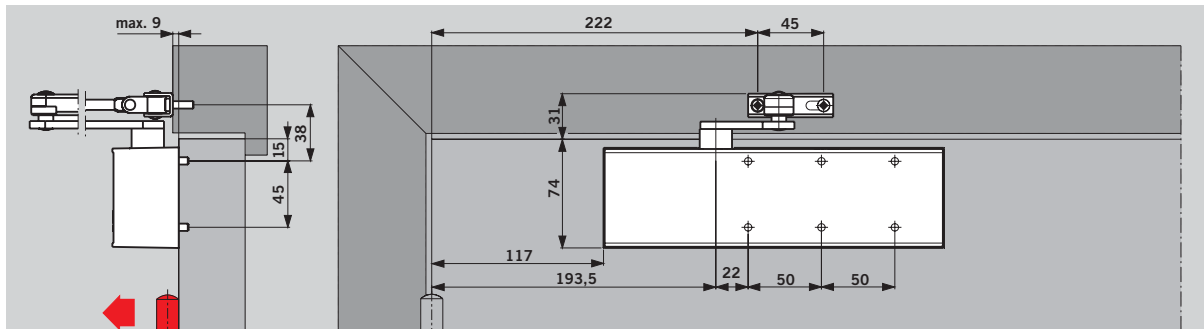
Door width	Setting
≤ 950	EN 3
≤ 1100	EN 4

With the TS 71, the spring strength (size setting) of the closer is adjusted to the door width concerned by merely turning round the hinge plate.



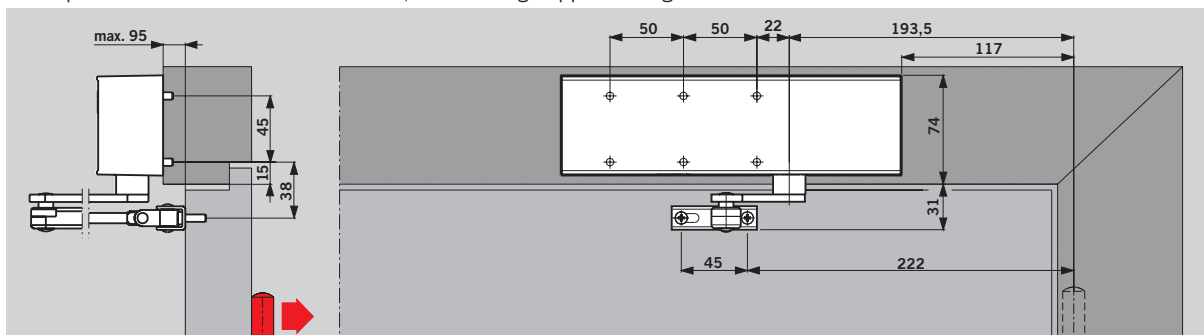
Door leaf fixing, pull side

(Example refers to left-hand [ISO 6] door; mirror image applies to right-hand [ISO 5] door)



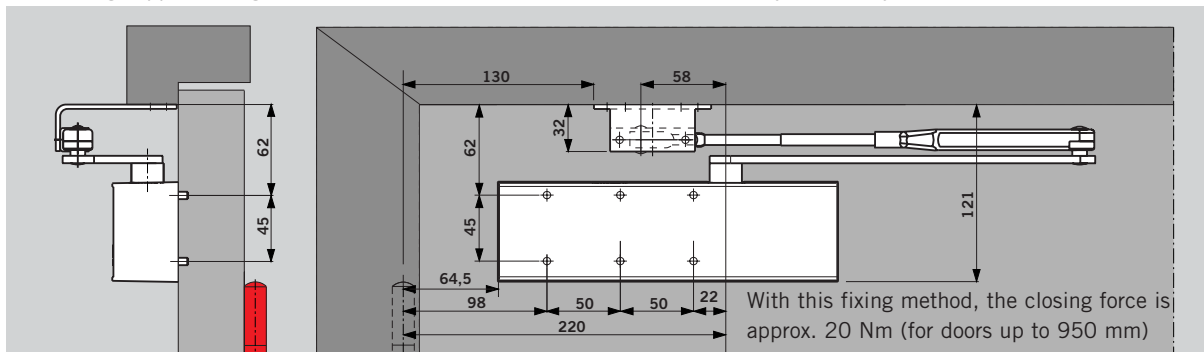
Transom fixing (overhead frame installation), push side

(Example refers to left-hand [ISO 6] door; mirror image applies to right-hand [ISO 5] door)



Parallel-arm fixing, push side

(Example refers to left-hand [ISO 6] door; mirror image applies to right-hand [ISO 5] door). Parallel-arm bracket (accessory) necessary

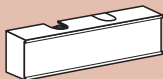
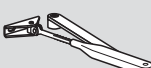
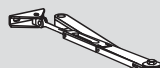




Standard equipment and accessories

Order No.:

- = Closer separate
- = Arm assembly separate
- # = Accessory

Colour	xx
Silver	01
Dark brown	03
White (sim. to RAL 9010)	10
White (sim. to RAL 9016)	11
Special colour	09

Closer body TS 71	Standard arm	Hold-open arm	Mounting backplate	Parallel-arm bracket
	 □ 220023xx	 □ 220025xx	 220021xx	 280066xx
Size EN 3/4 222121xx	□ ■	□ ■	#	#

Specification text

Rack-and-pinion door closer with adjustable closing force, size EN 3 or 4, closing speed adjustable in two independent ranges, with adjustable latching action. Non-handed.

Tested and approved to EN 1154.

Model

- with standard arm
- with hold-open arm

Accessories

- Mounting backplate
- Fixing bracket for parallel-arm assembly

Colour

- Silver
- Dark brown
- White (sim. to RAL 9010)
- White (sim. to RAL 9016)
- Special colour _____ (sim. to RAL _____)

Make DORMA TS 71

Division Door Control worldwide

www.dorma.com

Central Europe

DORMA GmbH + Co. KG
Breckerfelder Str. 42-48
D-58256 Ennepetal
Tel. +49 23 33/793-0
Fax +49 23 33/793-495

Scanbalt

DORMA Danmark A/S
Sindalvej 6 - 8
DK-2610 Rødovre
Tel. +45 44/54 30 00
Fax +45 44/94 95 04

Australia

DORMA Door Controls Pty. Ltd.
52 Abbott Road
Hallam/Victoria 3803
Australia
Tel. +61 3/97 96 35 55
Fax +61 3/97 96 39 55

South Africa

DORMA Door Controls (Pty.) Ltd.
Kings Court, 4A Mineral Crescent
ZA-2000 Crown/Gauteng
Johannesburg
Tel. +27 11/8 30 02 80
Fax +27 11/8 30 02 91

Emerging Markets

DORMA GmbH + Co. KG
Breckerfelder Str. 42-48
D-58256 Ennepetal
Tel. +49 23 33/793-0
Fax +49 23 33/793-495

South America

DORMA Sistemas de Controles
para Portas Ltda.
Av. Piracema, 1400
Centro Empresarial Tambore
CEP 06400 Barueri/
São Paulo, Brasil
Tel. +55 11/41 91 32 44
Fax +55 11/41 91 21 93

Far East

DORMA Door Controls Pte. Ltd.
No. 2 Jalan Terusan,
Jurong
Singapore 619285
Tel. +65 62 68/76 33
Fax +65 62 65/79 14

South-East Europe

DORMA AUSTRIA GmbH
Pebering Strass 22
A-5301 Eugendorf
Tel. +43 62 25/2 84 88
Fax +43 62 25/2 84 91

France

DORMA France S.A.S.
Europarc
42, rue Eugène Dupuis
F-94046 Créteil
Tel. +33 1/41 94 24 00
Fax +33 1/41 94 24 01

South Europe

DORMA Italiana S.r.l.
Via. A. Canova 44/46
I-20035 Lissone (MI)
Tel. +39 039/24 40 31
Fax +39 039/24 40 33 10

Gulf

DORMA Gulf Door Controls FZE
Jebel Ali Free Zone,
Roundabout 8,
Unit VC 02
Dubai, United Arab Emirates
Tel. +971 48/83 90 14
Fax +971 48/83 90 15

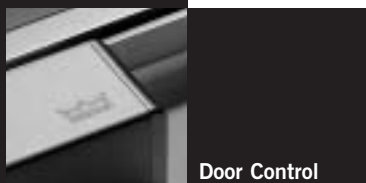
DORMA Ibérica, S.A.
Camino San Martin de la Vega, 4
E-28500 Arganda del Rey
(Madrid)
Tel. +34 91/8 75 78 50
Fax +34 91/8 75 78 81

UK/Ireland

DORMA UK Ltd.
Door Controls Division
Wilbury Way
GB-Hitchin
Hertfordshire SG4 0AB
Tel. +44 14 62/47 76 00
Fax +44 14 62/47 76 01

North America

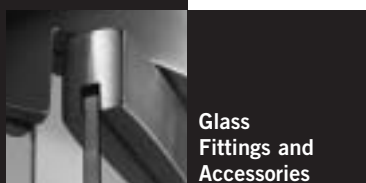
DORMA Architectural Hardware
DORMA Drive, Drawer AC
Reamstown, PA 17567
Tel. +1-800-523-8483
Fax +1-800-274-9724



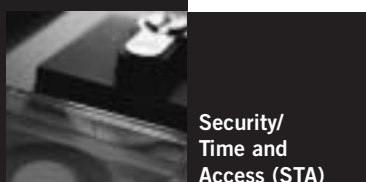
Door Control



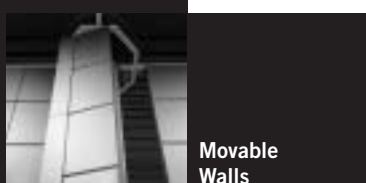
Automatic



Glass
Fittings and
Accessories



Security/
Time and
Access (STA)



Movable
Walls

