



Door Closer

# DORMA TS 73 V

## Easy to fit, economical and with adjustable closing force

**Simple, easy installation, and guaranteed quality.**

**Tested to EN 1154**

Specially designed for internal doors, including fire doors, the DORMA TS 73 V is a universal solution for doors of differing designs and styles.

The flat and compact format of the TS 73 V means that there are practically no problems with installation; and tried and trusted quality is your assurance of reliability. Certified to ISO 9001

### Why everyone gains – point by point

#### For the trade

- One model for all applications.
- Really practical solutions for special installation situations, thanks to the wide range of accessories.

#### For the installer

- Quick and simple to fit. Closing force, closing speed, and latching action all set with just a few manual adjustments.
- Only one design for DIN-L and DIN-R doors, and for standard and framefixing.

#### For the designers

- Compact format in time-less design.
- Attractively-priced solution with optimum reliability.
- Wide range of applications.
- Anti-corrosive design for moist and damp areas.

#### For the user

- Optimum wall and door protection thanks to “thinking” backcheck.
- Constant closing speed virtually unaffected by temperature fluctuations, with adjustable latch action.
- Smooth door action thanks to high mechanical efficiency.



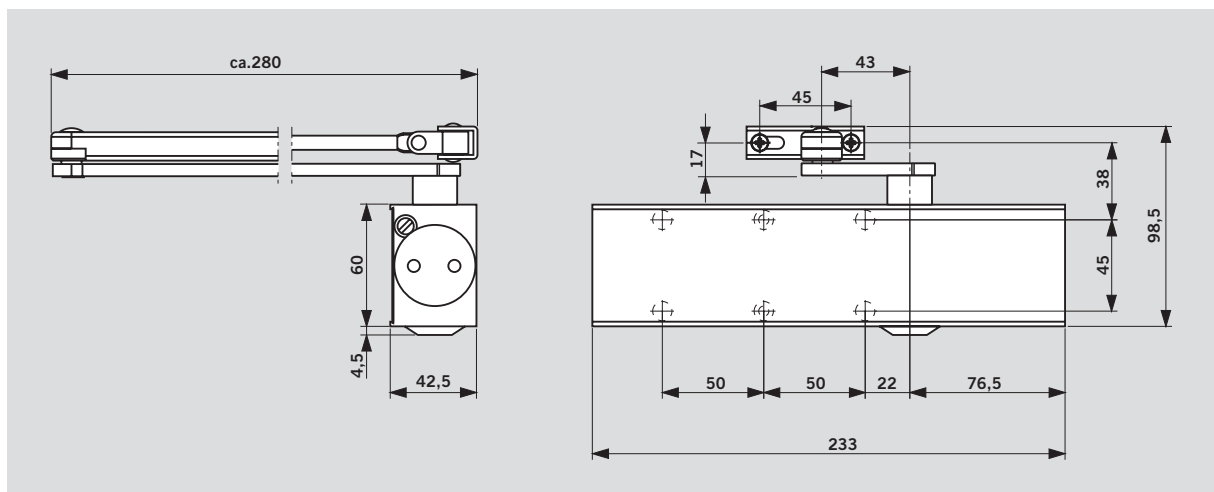
The TS 73 V complies with the requirements and/or recommendations of the following: CERTIFIRE approved for fire doors

ITT 120; Ref. CF 117

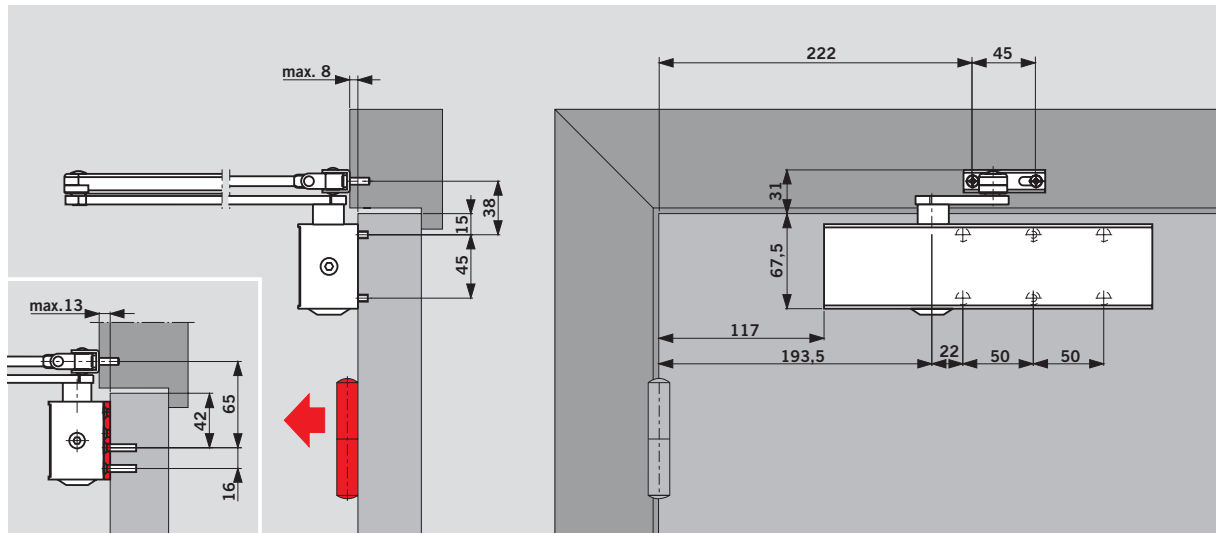
Data and features		TS 73 V
Closing force adjustable	Size	EN 2-4
Standard doors <sup>1)</sup>	≤ 1100 mm	●
External doors, opening outwards <sup>1)</sup>		–
Fire doors <sup>1)</sup>	≤ 1100 mm	●
Same design for DIN-L and DIN-R		●
Arm	Standard	●
	Flat form	●
	Slide channel	–
Closing force adjustable by means of setting screw and power shoe		●
Closing speed adjustable by means of valve		●
Backcheck	self-regulating	●
	adjustable at valve	●
Adjustable latching action	By arm	●
	By valve	–
Delayed action		–
Hold-open		○
Weight in kg		1.8
Dimensions in mm	Length	233
	Depth	42.5
	Height	60
Door closer tested to EN 1154		●
CE mark for construction products		●

● Yes – No ○ Option

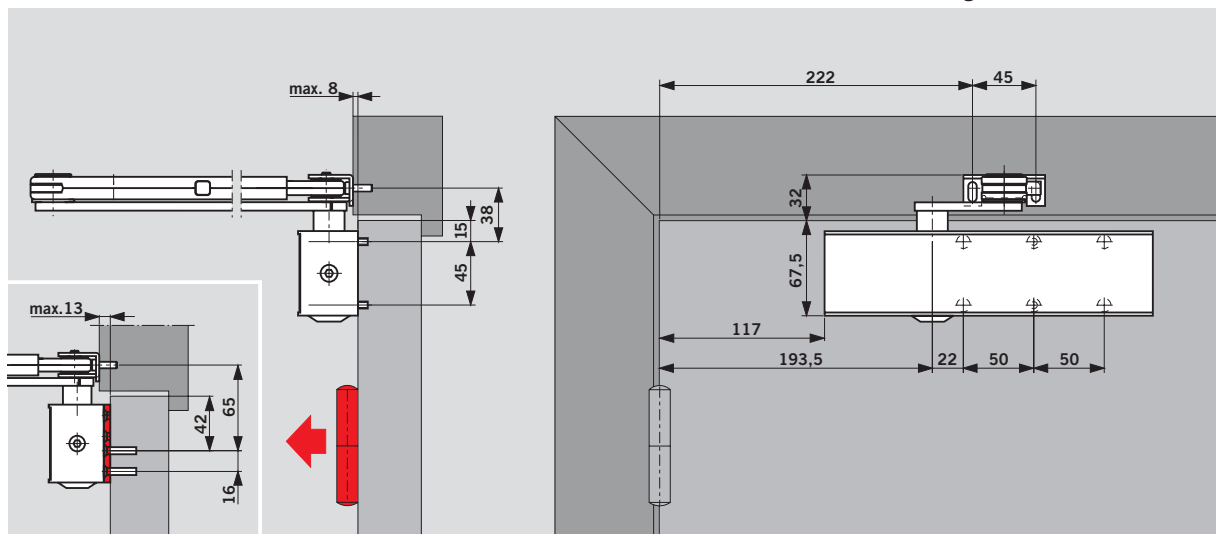
<sup>1)</sup> For high and heavy doors, external doors, and for doors required to close against high wind pressure, we recommend DORMA TS 83.



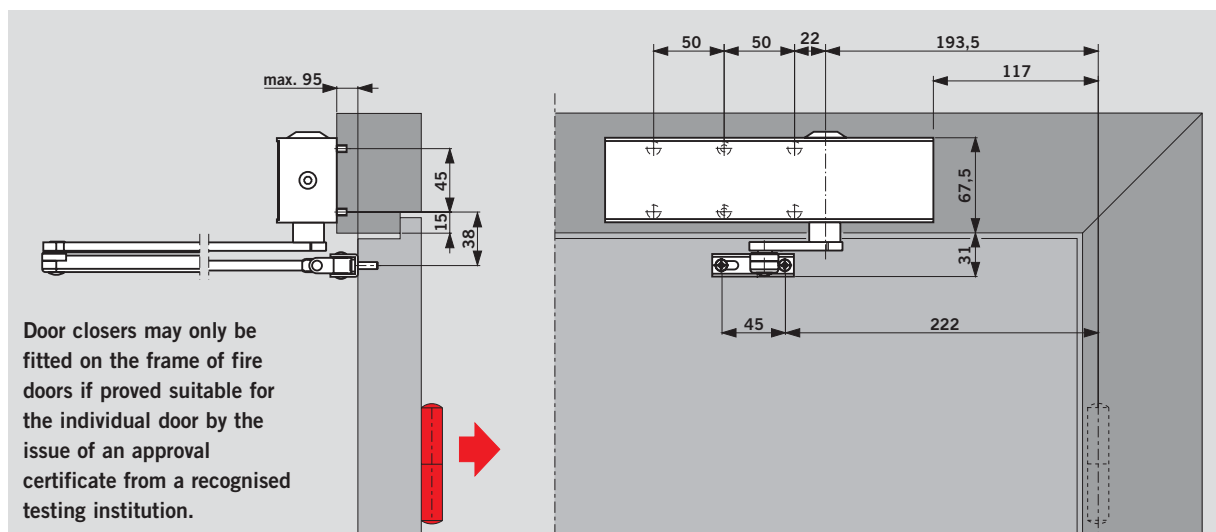
**Door leaf fixing, pull side** (example shows LH (ISO 6) door; RH (ISO 5) doors mirrored arrangement)



**Door leaf fixing with hold-open arm** (example shows LH (ISO 6) door; RH (ISO 5) doors mirrored arrangement)



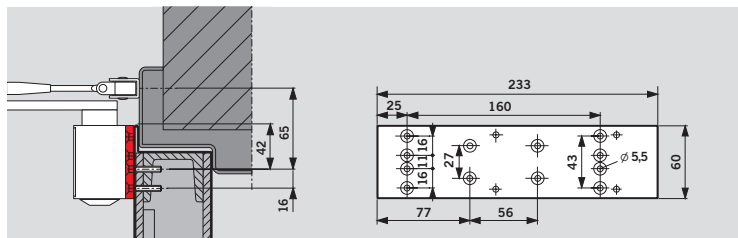
**Transom fixing, push side** (example shows LH (ISO 6) door; RH (ISO 5) doors mirrored arrangement)



### Mounting plate

Art. No. 7380

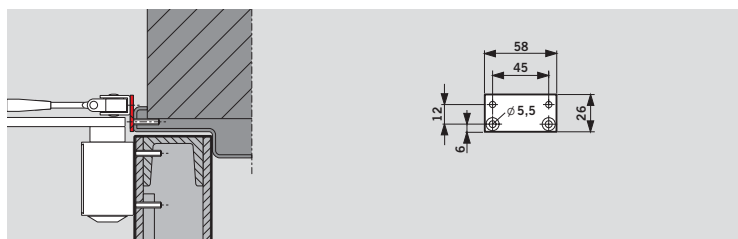
For fitting the door closer to fire doors and to doors where direct fitting is not possible. Hole group according to EN 1154, supplement 1.



### Hinge plate

Art. No. 8365

For securing the arm to particularly narrow door frames.

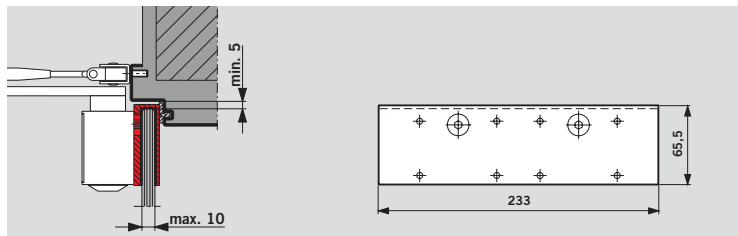


### Glass door saddle plate

Art. No. 7369

For securing the door closer to all-glass doors; no need for any glass preparation (to suit 8 – 10 mm door thickness).

**Not approved for fire doors.**

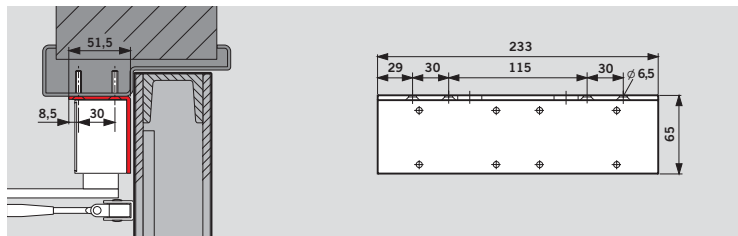


### Angle bracket

Art. No. 7357

For overhead fitting on the push side, for deep-set door lintels.

**On fire doors, proof of suitability required in relation to the individual door concerned.**

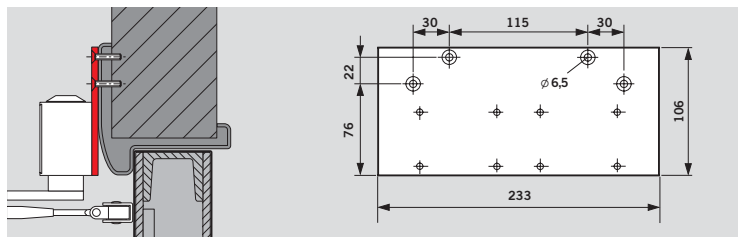


### Drop plate

Art. No. 7359

For use where the closer cannot be fitted directly to the door.

**On fire doors, proof of suitability required in relation to the individual door concerned.**

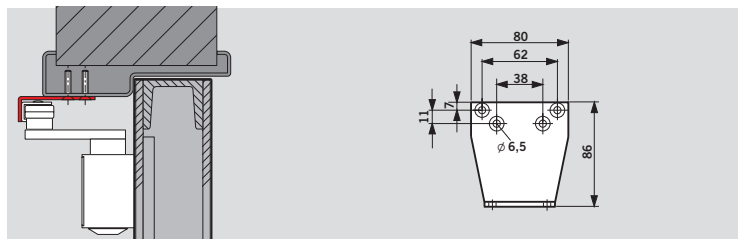


### Parallel arm bracket

Art. No. 8382

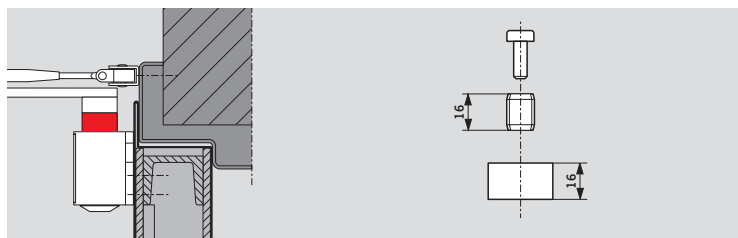
For parallel arm installation (see installation instructions for fitting dimensions).

**On fire doors, proof of suitability required in relation to the individual door concerned.**



### Spindle extension

For increasing the distance between the closer and the arm assembly in the case of doors with a high overlap; 16 mm high.



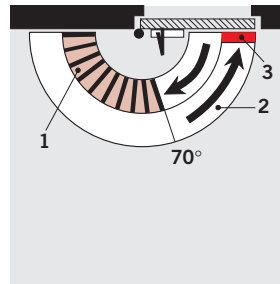
**Features and optional functions**

## With “thinking” backcheck (BC/ÖD)

Thanks to an innovative design concept, the resistance developed by this backcheck system as the door is opened beyond approx. 70° is directly proportional to door acceleration. It is almost imperceptible when the door is opened slowly. However, if the door is opened hastily, the backcheck responds in equal measure.

And if the door should be flung open at speed – whether deliberately, thoughtlessly, accidentally or as a result of a gust of wind – the backcheck reacts at full strength, protecting the wall and door from damage.

**If no backcheck function is required, the system can simply be switched off.**

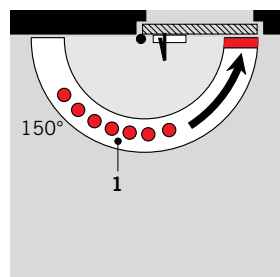


- 1 Self-regulating backcheck
- 2 Fully controlled closing with adjustable speed
- 3 Adjustable latch range

## With hold-open arm

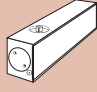



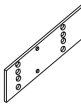
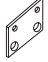
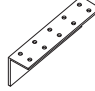
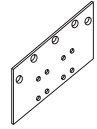

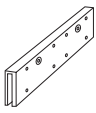

Combining the TS 73 V with a hold-open arm enables the door to be held open at an appropriate angle (up to approx. 150°).

Hold-open arm with switch: The hold-open function can be switched on and off by the user by simply pressing a switch.



- 1 Hold-open range

**Hold-open arms are not permitted on fire doors**

Range of equipment				Accessories			
Closer body TS 73 V 	Standard arm  □ 220023xx	Flatform arm  □ 830001xx	Hold-open arm without switch  □ 220030xx	Mounting plate  280074xx	Hinge plate  830014xx	Angle bracket  280076xx	Drop plate  280075xx
Size EN 2-4 ■ 280401xx	□	□	□	Parallel arm bracket  280066xx	Glass door saddle plate  280078xx	Spindle extender 16 mm  83003705	

Order number:	Colour	xx
■ = Body only	silver	01
□ = Arm only	white (RAL 9016)	11
	white (RAL 9010)	10
	special	09

### Specification text

DORMA TS 73 V rack and pinion door closer; with adjustable power size EN 2 - 4, according to EN 1154, integral self-regulating backcheck, adjustable closing speed and adjustable latch action. Suits both DIN-left and DIN-right.

#### Model

- with standard arm  
 with flatform arm  
 with hold-open arm without switch

Accessories \_\_\_\_\_

#### Colour

- Silver  
 White (sim. RAL 9016)  
 White (sim RAL 9010)  
 Special \_\_\_\_\_ (sim. RAL \_\_\_\_\_)

Make: DORMA TS 73 V

□ TS73V

#### Division Door Control worldwide

##### Central Europe

DORMA GmbH + Co. KG  
Breckerfelder Str. 42-48  
D-58256 Ennepetal  
Tel. +49 23 33/793-0  
Fax +49 23 33/793-495

##### Australia

DORMA Door Controls Pty. Ltd.  
52 Abbott Road  
Hallam/Victoria 3803  
Australia  
Tel. +61 3/97 96 35 55  
Fax +61 3/97 96 39 55

##### Emerging Markets

DORMA GmbH + Co. KG  
Breckerfelder Str. 42-48  
D-58256 Ennepetal  
Tel. +49 23 33/793-0  
Fax +49 23 33/793-495

DORMA Door Controls (Pty.) Ltd.  
Kings Court, 4A Mineral Crescent  
ZA-2000 Crown/Gauteng  
South Africa  
Tel. +27 11/8 30 02 80  
Fax +27 11/8 30 02 91

##### Far East

DORMA Door Controls Pte. Ltd.  
No. 2 Jalan Terusan, Jurong  
Singapore 619285  
Tel. +65 62 68/76 33  
Fax +65 62 65/79 14

DORMA Door Controls Pte. Ltd.  
Room 701, Technology Plaza  
651 King's Road  
North Point  
Hong Kong  
Tel. +825/250 34632  
Fax +825/288 75370

##### France

DORMA France S.A.S.  
Europarc  
42, rue Eugène Dupuis  
F-94046 Créteil  
Tel. +33 1/41 94 24 00  
Fax +33 1/41 94 24 01

##### Gulf

DORMA Gulf Door Controls FZE  
Jebel Ali Free Zone,  
Roundabout 8,  
Unit VC 02  
Dubai, United Arab Emirates  
Tel. +971 48/83 90 14  
Fax +971 48/83 90 15

##### North America

DORMA Architectural Hardware  
DORMA Drive, Drawer AC  
Reamstown, PA 17567  
Tel. +1-800-523-8483  
Fax +1-800-274-9724

##### Scanbalt

DORMA Danmark A/S  
Sindalvej 6 - 8  
DK-2610 Rødovre  
Tel. +45 44/54 30 00  
Fax +45 44/94 95 04

##### South America

DORMA Sistemas de Controles  
para Portas Ltda.  
Av. Piracema, 1400  
Centro Empresarial Tambore  
CEP 06400 Barueri/  
São Paulo, Brasil  
Tel. +55 11/41 91 32 44  
Fax +55 11/41 91 21 93

##### South-East Europe

DORMA AUSTRIA GmbH  
Pebering Strass 22  
A-5301 Eugendorf  
Tel. +43 62 25/2 84 88  
Fax +43 62 25/2 84 91

##### South Europe

DORMA Italiana S.r.l.  
Via. A. Canova 44/46  
I-20035 Lissone (MI)  
Tel. +39 039/24 40 31  
Fax +39 039/24 40 33 10

DORMA Ibérica, S.A.  
Camino San Martin de la Vega, 4  
E-28500 Arganda del Rey  
(Madrid)  
Tel. +34 91/8 75 78 50  
Fax +34 91/8 75 78 81

##### UK/Ireland

DORMA UK Ltd.  
Door Controls Division  
Wilbury Way  
GB-Hitchin  
Hertfordshire SG4 0AB  
Tel. +44 14 62/47 76 00  
Fax +44 14 62/47 76 01

